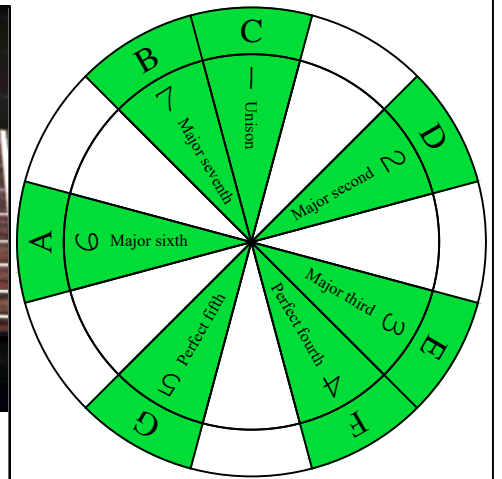
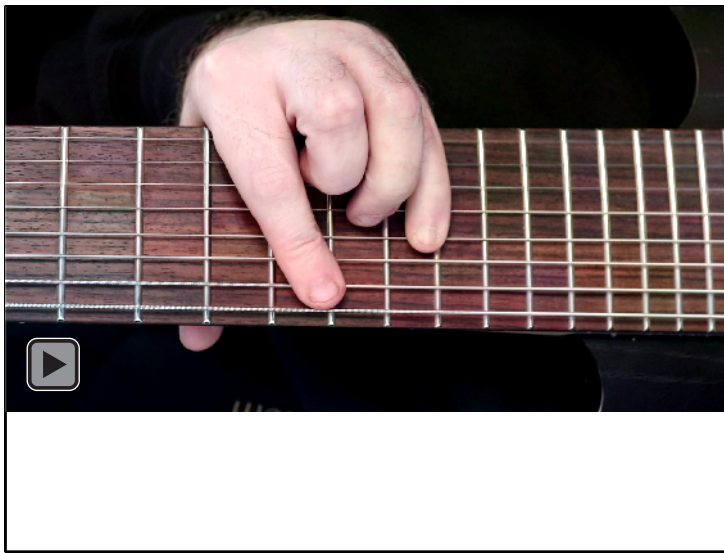


# C major scale (ionian mode)

## AGED octaves box shapes

Meshuggah's 8-string guitar tuning  
F B<sup>b</sup> E<sup>b</sup> A<sup>b</sup> D<sup>b</sup> G<sup>b</sup> B<sup>b</sup> E<sup>b</sup>



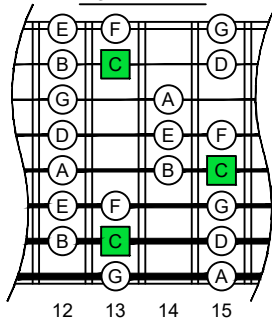
C major scale (ionian mode)  
SEMITONOMETER

7B5B2 at 12

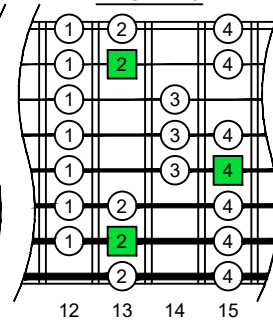


BOX SHAPE

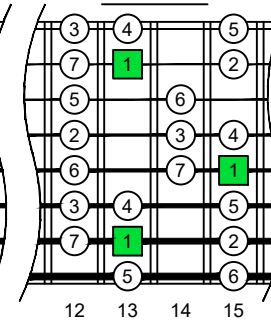
NOTE NAMES



FINGERING



INTERVALS

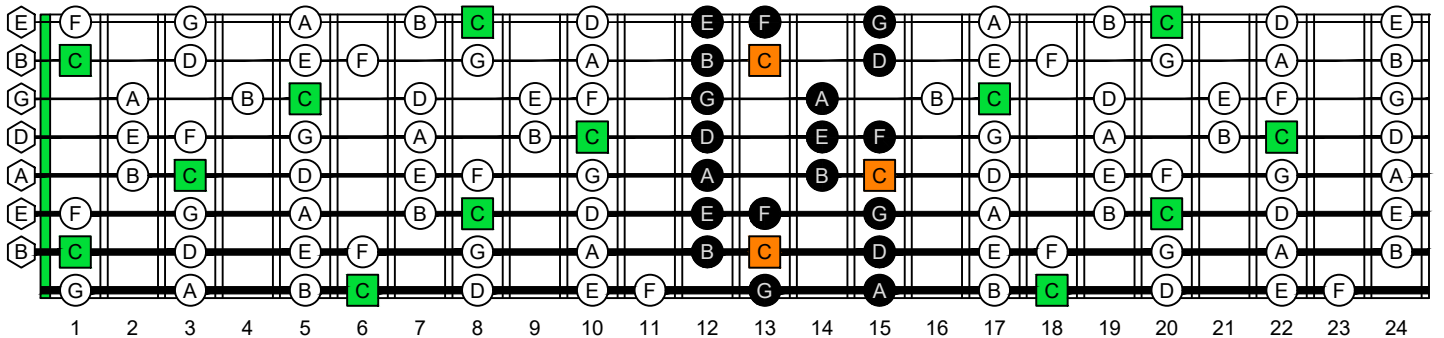


www.cagedoctaves.com

Zon Brookes

BAF#GED octaves (Meshuggah's 8-String Guitar Tuning : F B<sup>b</sup> E<sup>b</sup> A<sup>b</sup> D<sup>b</sup> G<sup>b</sup> B<sup>b</sup> E<sup>b</sup>) C major scale (ionian mode) - 7B5B2 box shape at 12

BAF#GED octaves (Meshuggah's 8-string guitar tuning) C major scale (ionian mode) ENTIRE FINGERBOARD NOTE NAMES : 7B5B2 box shape at 12



BAF#GED octaves (Meshuggah's 8-string guitar tuning) C major scale (ionian mode) ENTIRE FINGERBOARD INTERVALS : 7B5B2 box shape at 12

